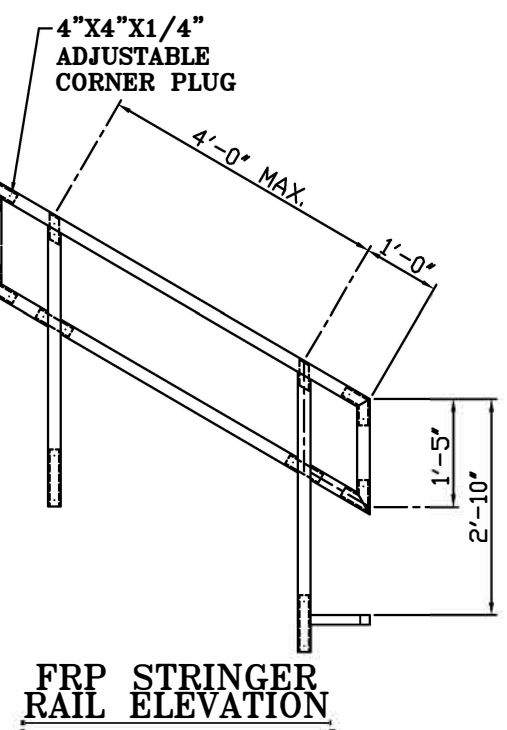
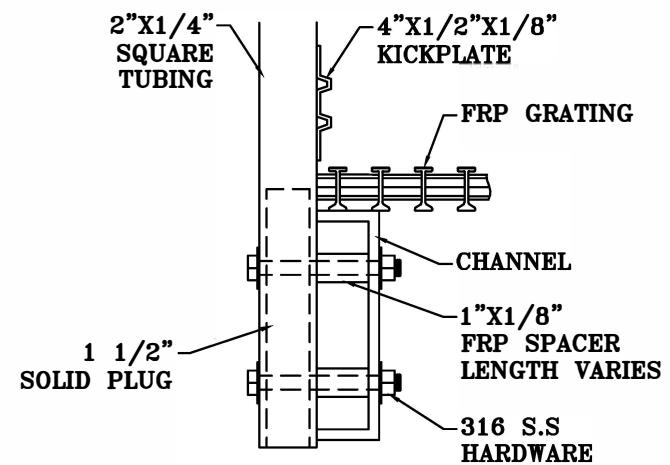


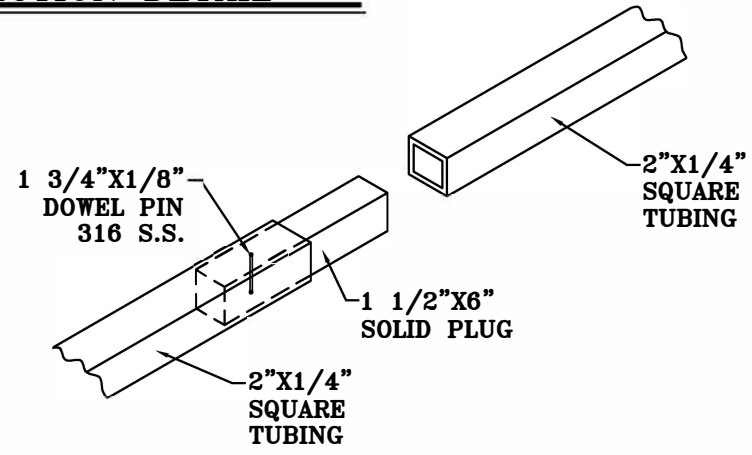
**FRP GUARDRAIL ELEVATION**



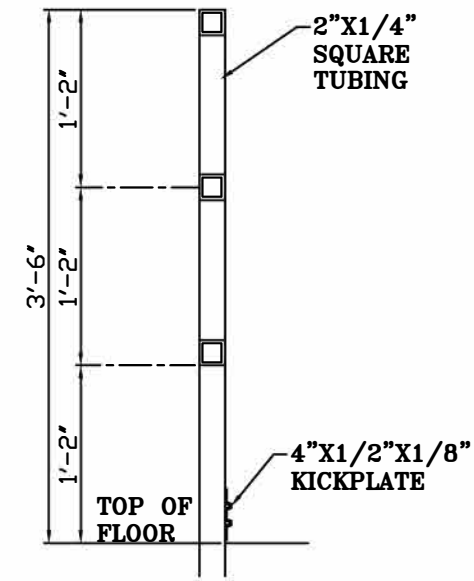
**FRP STRINGER RAIL ELEVATION**



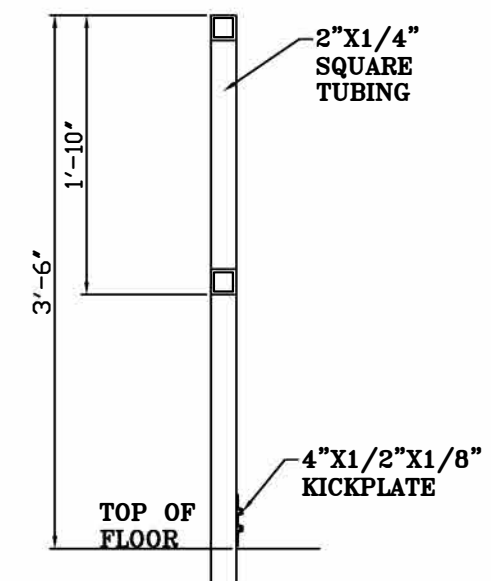
**FRP GUARDRAIL SIDE-MOUNT CONNECTION DETAIL**



**FRP GUARDRAIL SPLICE CONNECTION DETAIL**



**FRP THREE-RAIL GUARDRAIL SECTION**



**FRP TWO-RAIL GUARDRAIL SECTION**

**FRP GUARDRAIL DETAILS**

**GUARDRAIL SPECS:**

MEET OSHA SPEC. 1910.23 AND  
ASTM SPEC. E-84, FLAME SPREAD OF 25



STRUCTURAL FIBERGLASS

P.O. BOX 90575  
HOUSTON, TX. 77290  
PH: 281-440-3662  
FAX: 281-440-4936