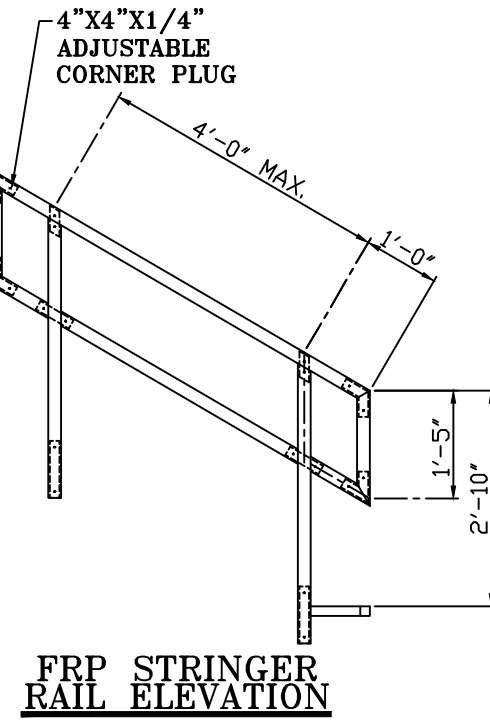
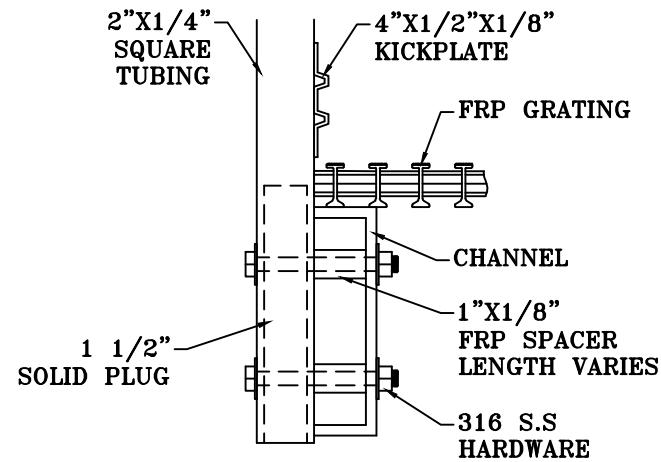


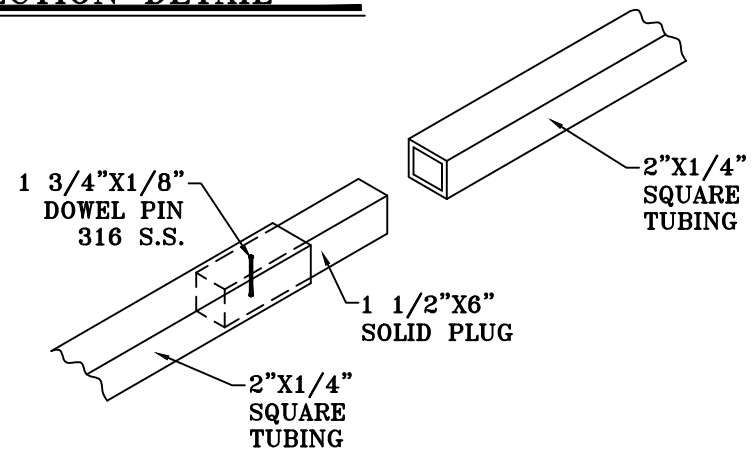
FRP GUARDRAIL ELEVATION



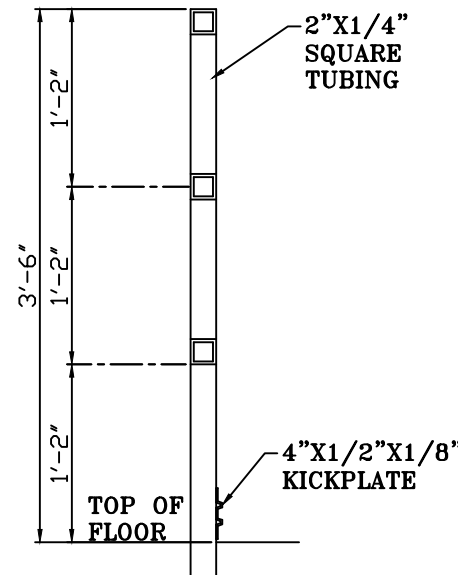
FRP STRINGER RAIL ELEVATION



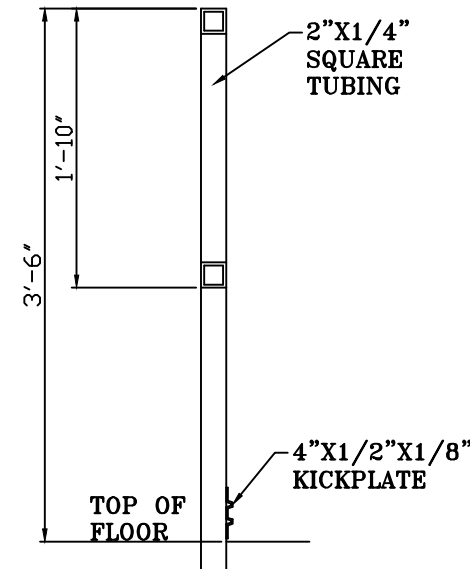
FRP GUARDRAIL SIDE-MOUNT CONNECTION DETAIL



FRP GUARDRAIL SPLICE CONNECTION DETAIL



FRP THREE-RAIL GUARDRAIL SECTION



FRP TWO-RAIL GUARDRAIL SECTION

FRP GUARDRAIL DETAILS

GUARDRAIL SPECS:

MEET OSHA SPEC. 1910.23 AND
ASTM SPEC. E-84, FLAME SPREAD OF 25



DESIGN • ENGINEER • FABRICATE • INSTALL
STRUCTURAL FIBERGLASS

P.O. BOX 90575
HOUSTON, TX. 77290
PH: 281-440-3662
FAX: 281-440-4936